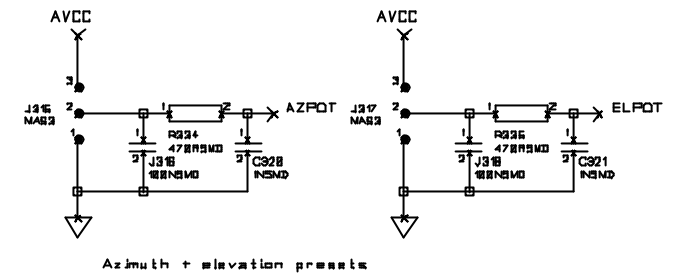
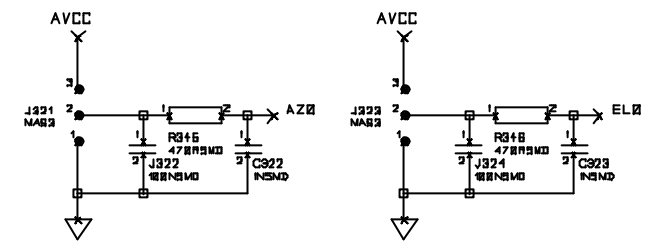
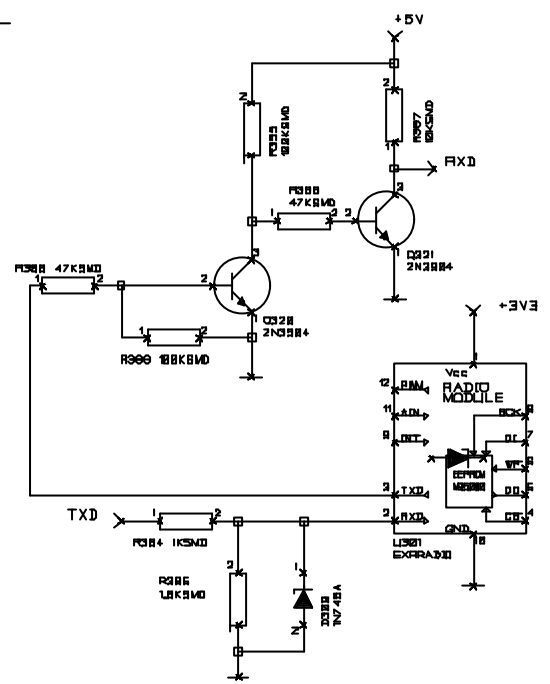
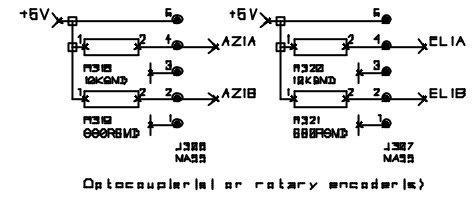
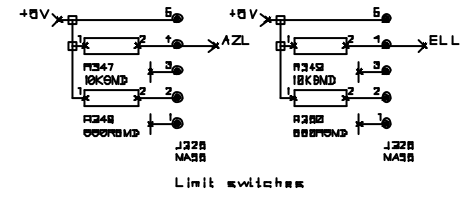
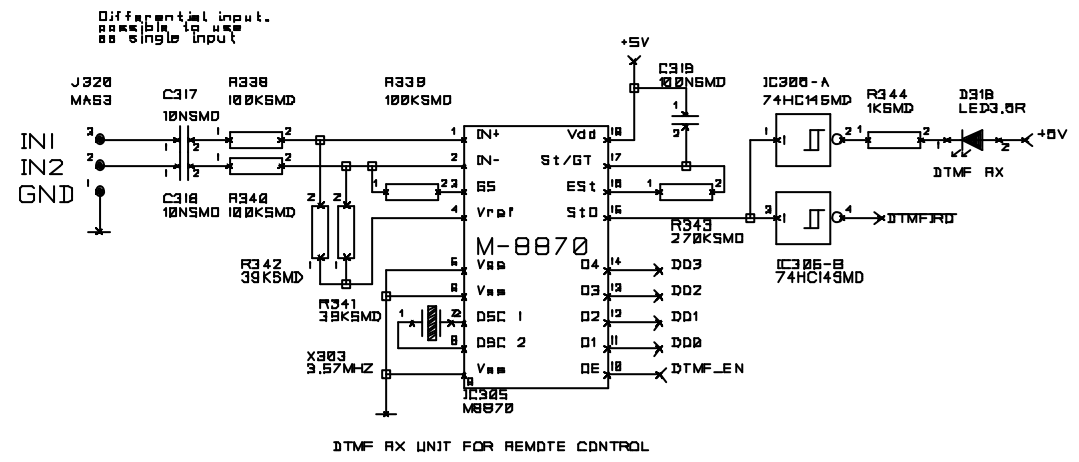


Nappaimis toliitin ???  
Valintakiekko ????

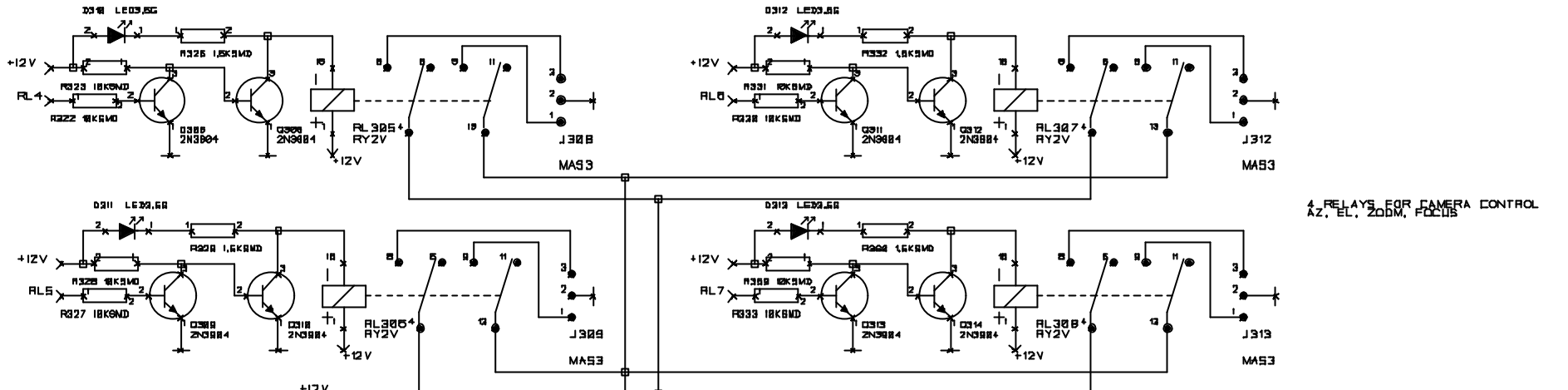
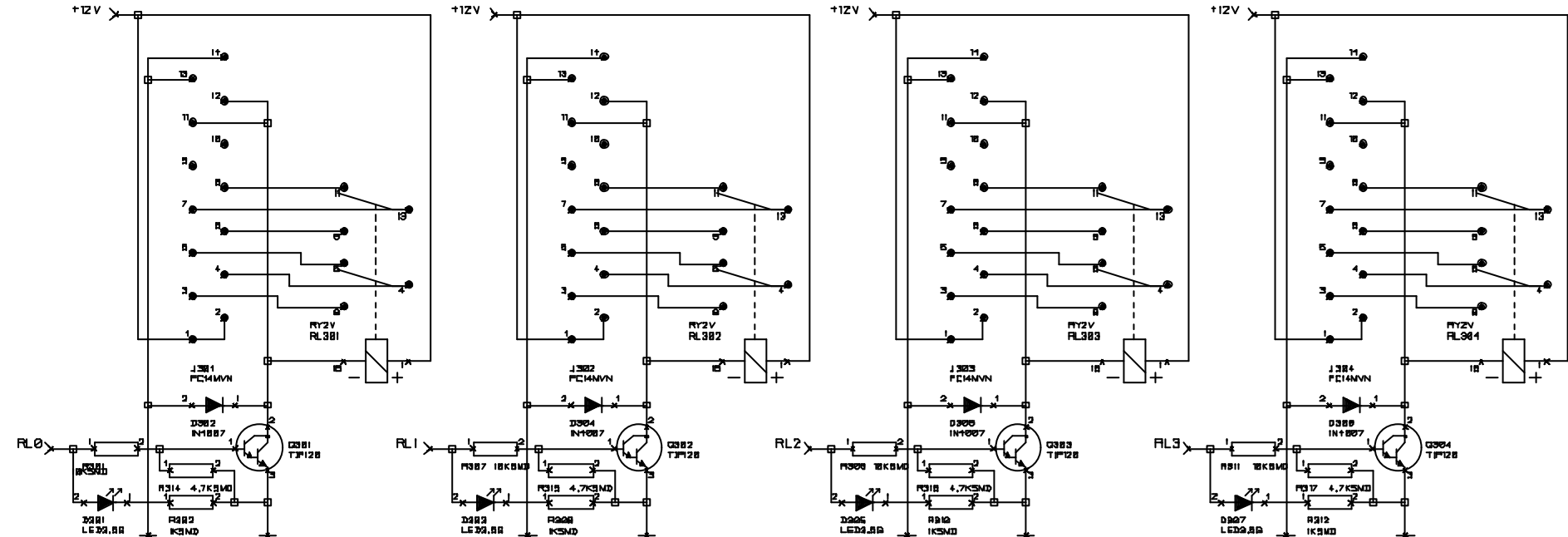
Item ref	Quantity	Title/Name, designation, material, dimension etc			Article No./Reference	
Designed by	Checked by	Approved by - date	Filename	Date	Scale	
OHINK				100405		
RYYDLAB			Rotor Driver			
Lieto FINLAND E.U.			Processor		Edition	Sheet
						1/4



Item ref	Quantity	Title/Name, designation, material, dimension etc			Article No./Reference	
Designed by	Checked by	Approved by - date		Filename	Date	Scale
OHINK					100405	
RYYDLAB				Rotor Driver		
Lie to FINLAND E.U.				1/0	Edition	Sheet
						2/4

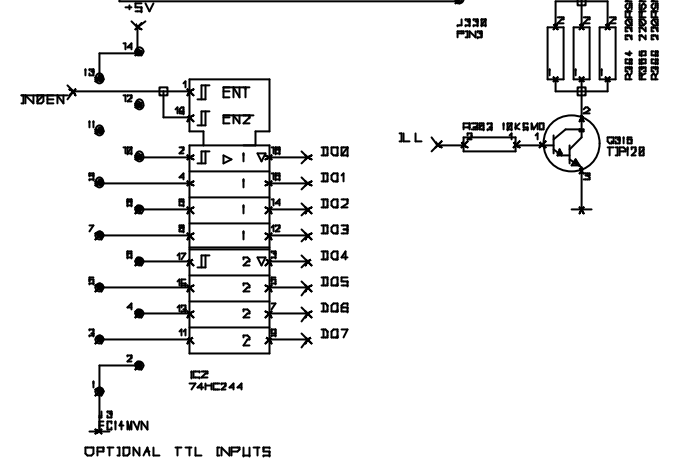
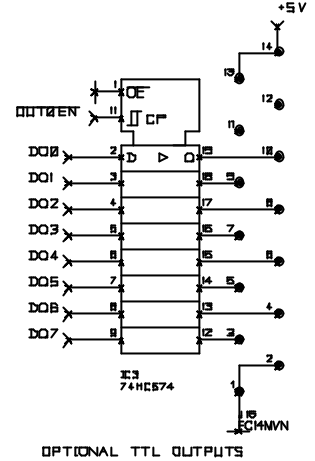
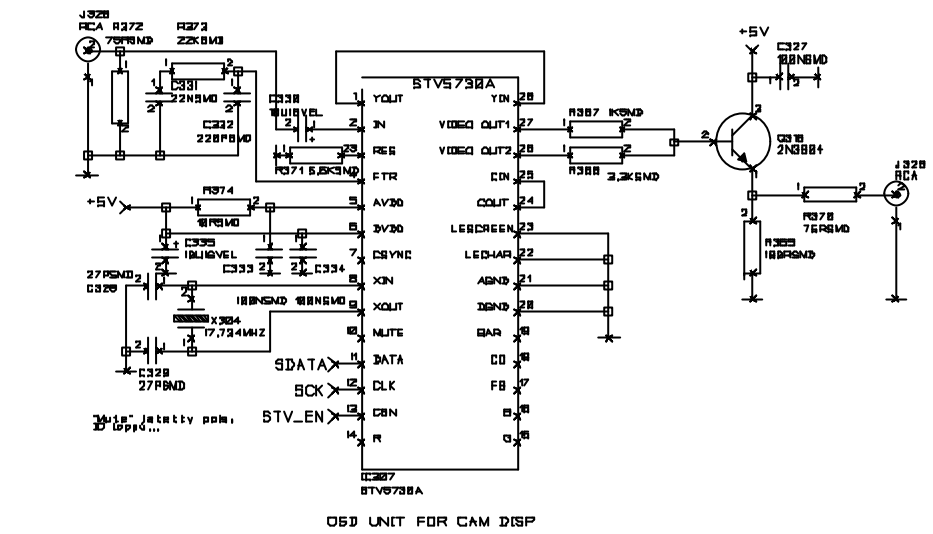
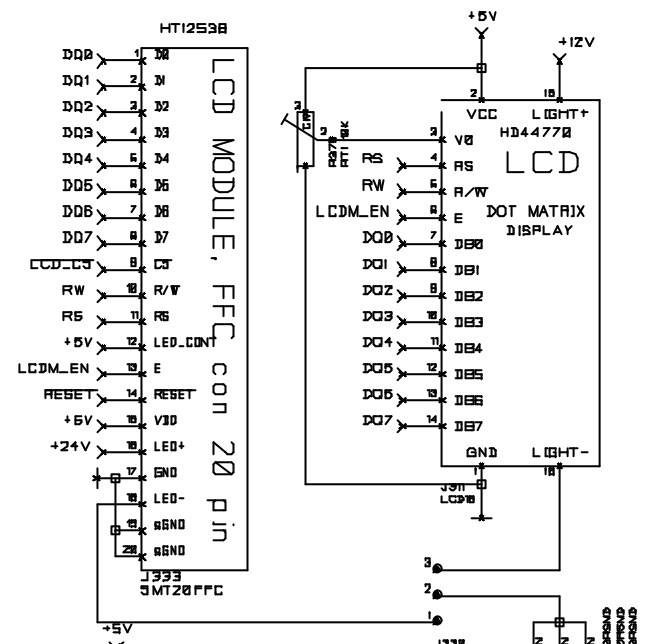
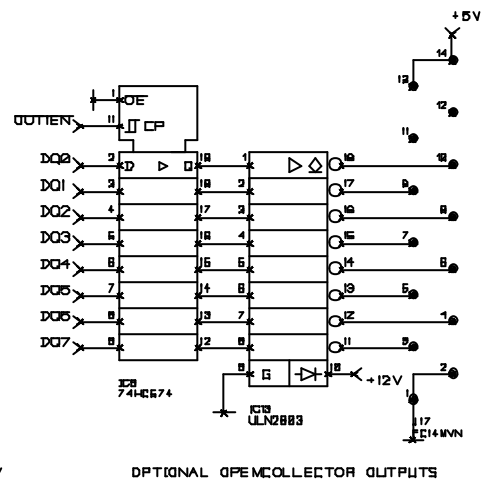
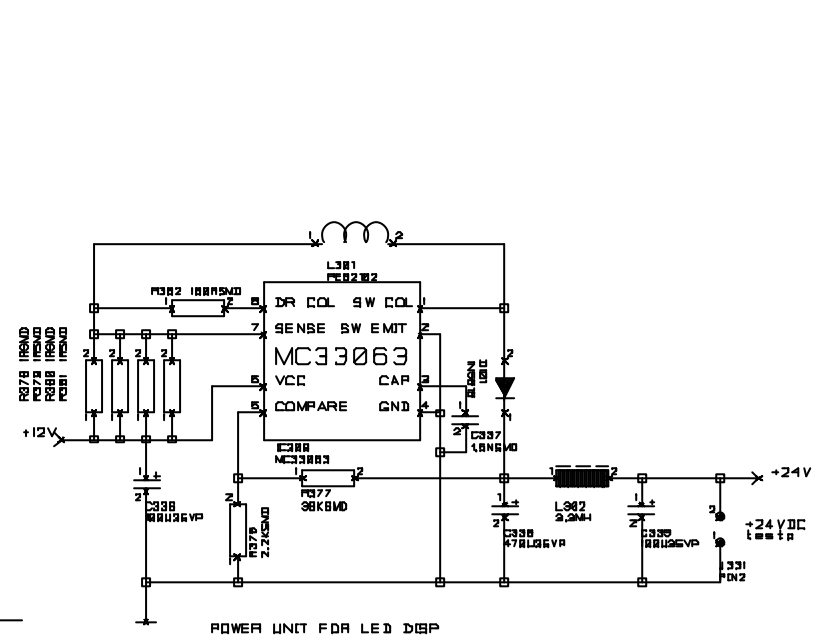
4 RELAYS FOR ROTOR CONTROL: CLOCKWISE, COUNTERCLOCKWISE, UP, DOWN

RevNo	Revision note	Date	Signature	Checked



4 RELAYS FOR CAMERA CONTROL  
AZ, EL, ZOOM, FOCUS

Item ref	Quantity	Title/Name, designation, material, dimension etc	Article No./Reference		
Designed by	Checked by	Approved by - date	Filename	Date	Scale
OHINK				100405	
RYYDLAB			Rotor Driver		
Lie to FINLAND E.U.			Relays		Edition
					Sheet
					3/4



Item#	Quantity	Title/Name, designation, material, dimension etc			Article No./Reference	
Designed by	Checked by	Approved by - date		Filename	Date	Scale
OHINK					100405	
RYYDLAB				Rotor Driver		
Lie to FINLAND E.U.				DISPLAYS		Edition Sheet
						4 / 4